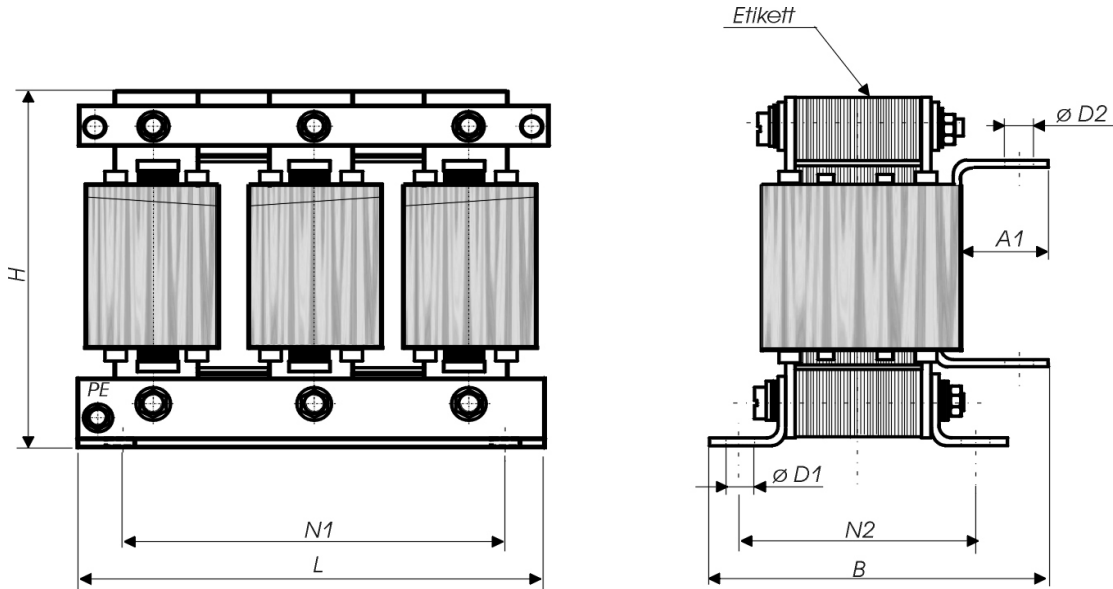


Weitergabe sowie Vervielfältigung dieser Unterlage, Verwertung und Mitteilung ihres Inhaltes sind nur mit unserer Zustimmung gestattet. Alle Rechte vorbehalten.  
 Passing on as well as duplication of this document, utilization and report of their contents are permitted only with our agreement. All rights reserved.

**Dimension drawing:**

LR330



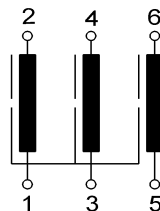
**Mechanical Data:**

Length L	300 mm	Fixing space N1	224 mm	Weight	22.00 kg
Width B	167 mm	Fixing space N2	95 mm	Copper-Weight	1.40 kg
Height H	264 mm	Diameter D1	10 x 18 mm	Al-Weight	1.6 kg
		Diameter D2	11 mm	Terminals	Cu 30 mm x 4 mm
		Length A1	53.2 mm		

**Electrical Data:**

Rated current:	I rms	3 x	250 A	
linear to:		3 x	375 A	
Voltage:	U	3 x	400 V	(50 / 60 Hz)
Inductance:	L	3 x	0.029 mH	± 10 %
DC resistance:	R	3 x	0.5 mΩ	± 10 %
Power:				
Power losses:			190.0 W	
Thermal class:			F	@ 40 °C Environment
Climate class:			25/085/21	DIN IEC 68 Part 1
Max. winding temp:			140°C	
Degree of protection:			IP 00	

**Schematic:**



**Tests:**

Inductance (mH)	Lo ± 10 %	(100 Hz/1 V)
High voltage	2.5 kV / 60 s	Winding - Winding
	2.5 kV / 60 s	Winding - PE
mechan. dimensions		
Visual inspection	yes	(Packaging, Air gap, Bandage)

**Label:**

Designation:	CNW 906/250/0.029/400/50
Text 1:	3-phase line choke
I:	250 A
U:	400 V
L:	0.029 mH
Text 1:	0
Terminal designation:	Start 1/3/5 End 2/4/6


Designation:

**3-phase line choke**

**CNW 906/250/0.029/400/50**

Cond.	Date	Name	Amendment	
signed	27.5.10	Schaper	No. of	No.
revised by				
checked				



**Project 404**