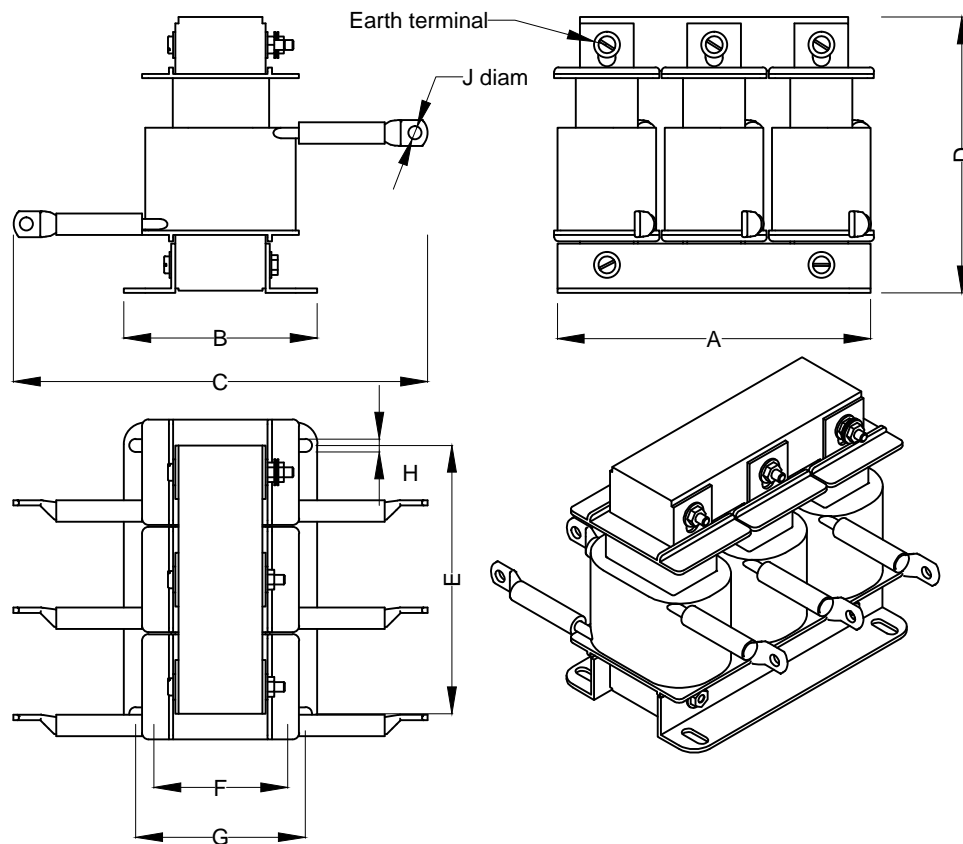


Serial number:  
IDSL0165A0050UH

Insulation system Class E  
Terminals are high current copper lug terminations  
IP rating IP00



Dimensions in mm										
Reference	A	B	C	D	E	F	G	H	J	KG
<b>IDSL0165A0050UH</b>	<b>180</b>	<b>135</b>	<b>250</b>	<b>155</b>	<b>150</b>	<b>95</b>	<b>115</b>	<b>8</b>	<b>10</b>	<b>13.1</b>

Drawing Number TWC 6518051	
Title	50uH 165A line reactor
Project	Wound components
Drawn Date	11/08/2015
Sheet Number	1 Of 1
Drawn By	RDT
Scale	NTS Revision 1
Company Name The Inverter Drive Supermarket  Unit 5 Battle Brook Drive Chipping Campden Gloucestershire UK. GL55 6JX	
Telephone No	+44 (0) 1386 848830
Email Address	sales@inverterdrive.com
Web Address	www.inverterdrive.com