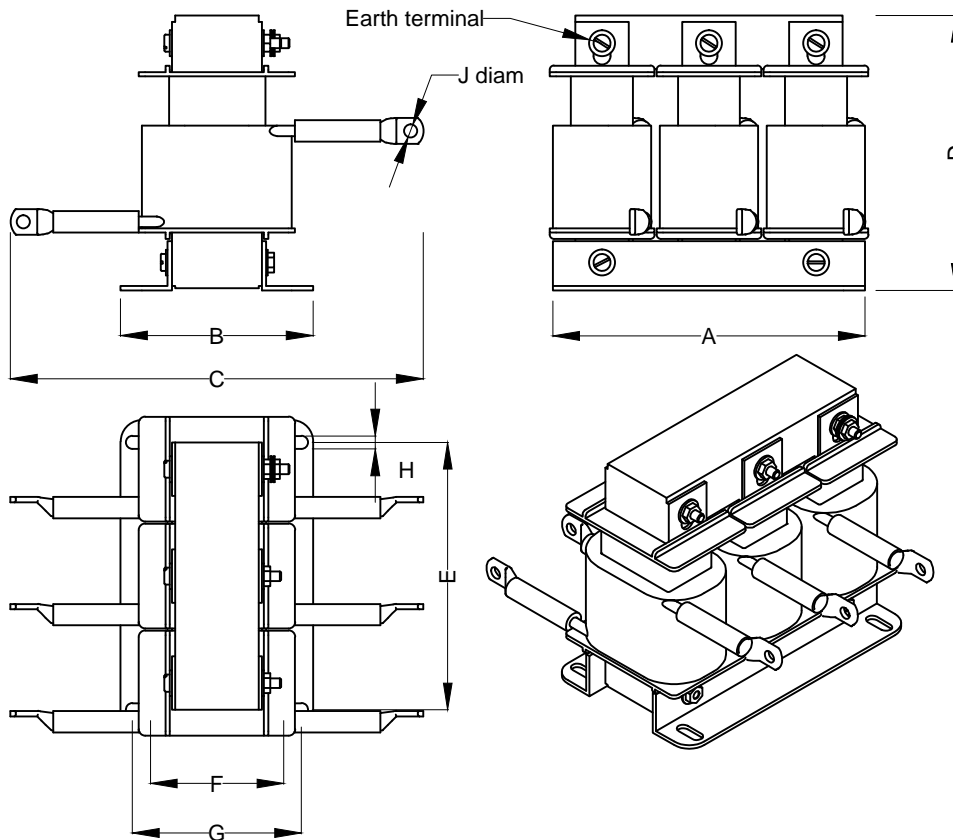


Serial number:

IDSL0070A0050UH

Insulation system Class E

Terminals are high current copper lug terminations
IP rating IP00



Dimensions in mm										
Reference	A	B	C	D	E	F	G	H	J	KG
IDSL0070A0050UH	150	90	190	130	125	65	75	6	6	4.9

Drawing Number TWC 6518049			
Title	50uH 70A line reactor		
Project	Wound components		
Drawn Date	11/08/2015		
Sheet Number	1	Of	1
Drawn By	RDT		
Scale	NTS	Revision	1
Company Name	The Inverter Drive Supermarket		
	Unit 5 Battle Brook Drive Chipping Campden Gloucestershire UK. GL55 6JX		
Telephone No	+44 (0) 1386 848830		
Email Address	sales@inverterdrive.com		
Web Address	www.inverterdrive.com		