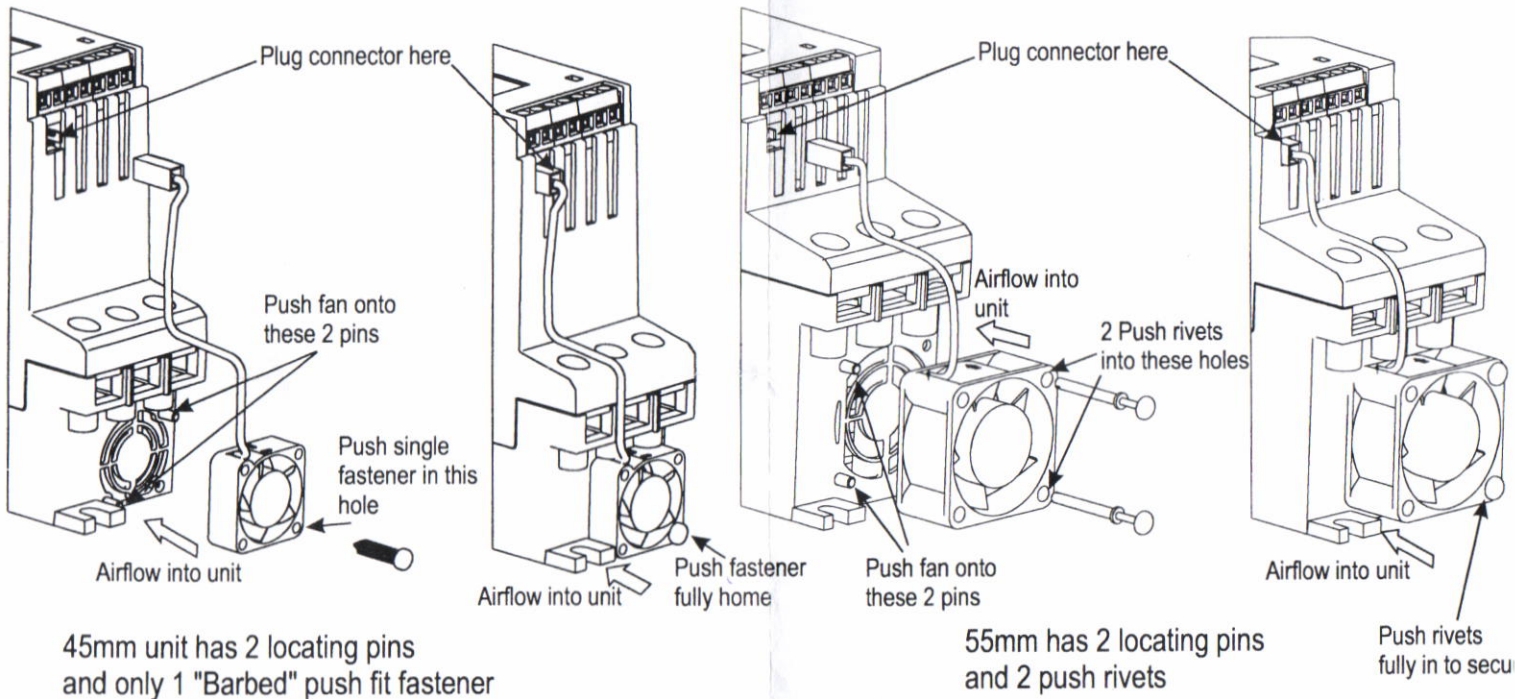


Digital Soft Starter Auxiliary Fan Attachment

45mm & 55mm wide



Unit width	Fan Kit part No.	Fan Size	Fan volts
45mm	PFEFAN01	25mm x 25mm	12V
55mm	PFEFAN02	40mm x 40mm	24V

M-7G71
090625 EC4490